

棒型兩邊綫脚綫圈

Axial Lead Type Coils

VC TYPE

FC TYPE

VD TYPE

Model	A(mm)	B(mm)	C(mm)
Rww3x8	3.8±1.0	8±1.0	28±2.0
Rww3x10	3.8±1.0	10±1.0	19±2.0
Rww4x10	4.5±1.0	10±1.0	28±2.0
Rww4x15	4.5±1.0	15±1.0	28±2.0
Rww5x15	5.5±1.0	15±1.0	28±2.0
Rww6x22	7±1.0	22±1.0	28±2.0

Specification

- Core material: iron, Ni-Zn
- Working frequency: ~200MHz
- Rated current: 50A
- Working temperature: -40°C~250°C

磁芯使用材質: 鐵粉, 磁粉
可工作頻率: ~200MHz
額定電流: ~50A
可工作溫度: -40°C~200°C

Model	A(mm)	B(mm)	C(mm)
AP1.5x8x25	1.5±0.3	8±0.5	25±1.5
Ap2x6x35	2±0.3	6±0.5	35±2.0
Ap3x8x50	3±0.3	8±0.5	50±2.0
Ap4x8x60	4±0.3	8±0.5	60±2.0
Ap5x5x32	5±0.3	5±0.5	32±2.0
Ap6x12x53	6±0.3	12±0.5	53±2.0

Model	A(mm)	B(mm)	C(mm)
DRww1.8x2	1.8±0.5	8±1.0	28±2.0
DRww2x4	2±0.5	10±1.0	19±2.0
DRww4x10	4±0.5	10±1.0	28±2.0
DRww6x8	6±0.5	8±0.5	28±2.0
DRww10x20	10±1.0	20±1.5	28±2.0

直立式水桶型綫圈

Peaking Type Coils

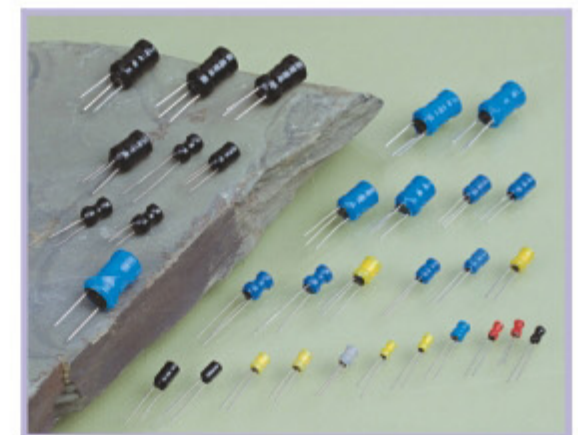
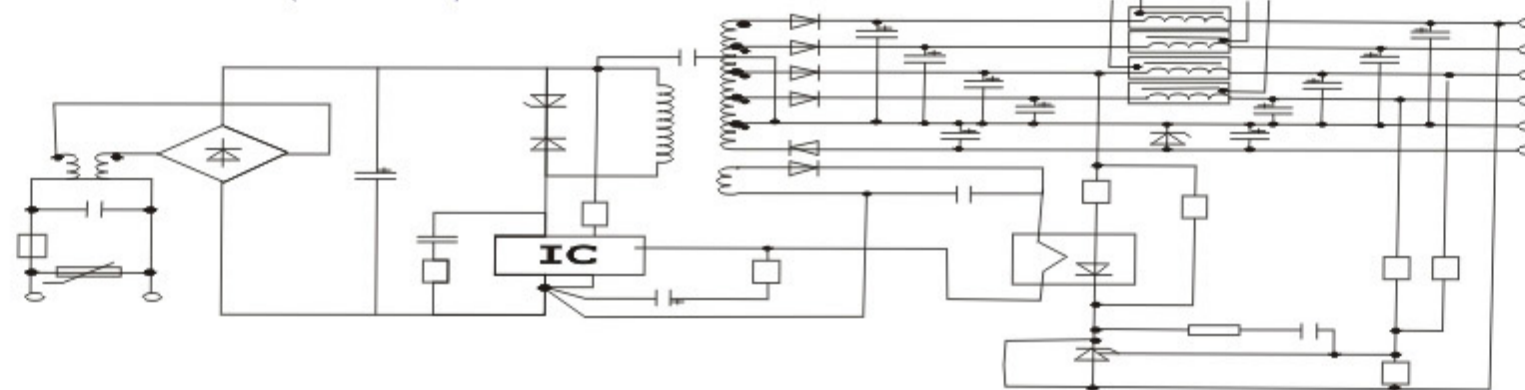
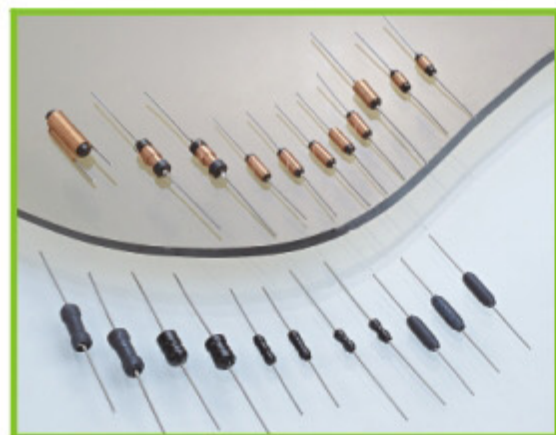
TWOPIN TYPE(兩脚類)

THREE~FIVE PIN TYPE(三~五脚類)

Model	A(mm)	B(mm)		C(mm)	Inductance (L)
		(with epoxy)	(without epoxy)		
DR2W3x4.5	3.5±0.75	6±1.0	5±1.0	1.5±0.75	0.1uH~45mH
DR2W4x5.5	4.5±0.75	7.5±1.0	6±1.0	2±0.75	0.1uH~60mH
DR2W5x7	5.5±0.75	9±1.0	7.5±1.0	3±0.75	0.1uH~90mH
DR2W6x8.3	6.5±0.75	10±1.0	9±1.0	3±0.75	0.1uH~120mH
DR2W8x10	8.5±0.75	12±1.0	10.5±1.0	5±0.75	0.1uH~200mH
DR2W8x15	8.5±0.75	16.5±1.0	15.5±1.0	4.5±0.75	0.1uH~300mH
DR2W9x12	9.5±0.75	13.5±1.0	12.5±1.0	5±0.75	0.1uH~600mH
DR2W10x16	10.5±0.75	18±1.0	17±1.0	6±1.0	0.1uH~1000mH

Model	A(mm)	B(mm)	C(mm)	Turns Ratios: N1:N2= 1:1~1:200
DR3W4x5.5	4.5±0.75	7.5±1.0	6±1.0	
DR3W5x7	5.5±0.75	9±1.0	7.5±1.0	3±0.75
DR3W6x8.3	6.5±0.75	10±1.0	9±1.0	3±0.75
DR3W8x10	8.5±0.75	12±1.0	10.5±1.0	5±0.75
DR3W9x12	9.5±0.75	13.5±1.0	12.5±1.0	5±0.75
DR3W10x16	10.5±0.75	18±1.0	17±1.0	6±0.75

典型應用回路(例):
TYPICAL APPLICATION CIRCUIT(EXAMPLES):



中英文說明	Specific Property 特性	Application 用途
	High saturation magnetic flux density ,High rated current. 高飽和磁通密度,耐大電流.	QA Equipment,TVS,CRTS,VTRS, QA測試設備電視機, 空調等其它家電設備.

中英文說明	Specific Property 特性	Application 用途
	Small of distributed capacitance PVC or the UL sleeve protections,Reliability high. 分布電容低, 可外覆絕緣管, 可靠性佳.	Applied in varieties of radio,cordless phone ,Radio transmitter and receiver. 廣泛用于收音機, 無線電話, 對講機等無線發射機和響鬧玩具, 警報器等.

歡迎客戶提供規格 CUSTOMER SPECIFICATION IS WELCOME

歡迎客戶提供規格 CUSTOMER SPECIFICATION IS WELCOME